

New Product Information

FLD METER

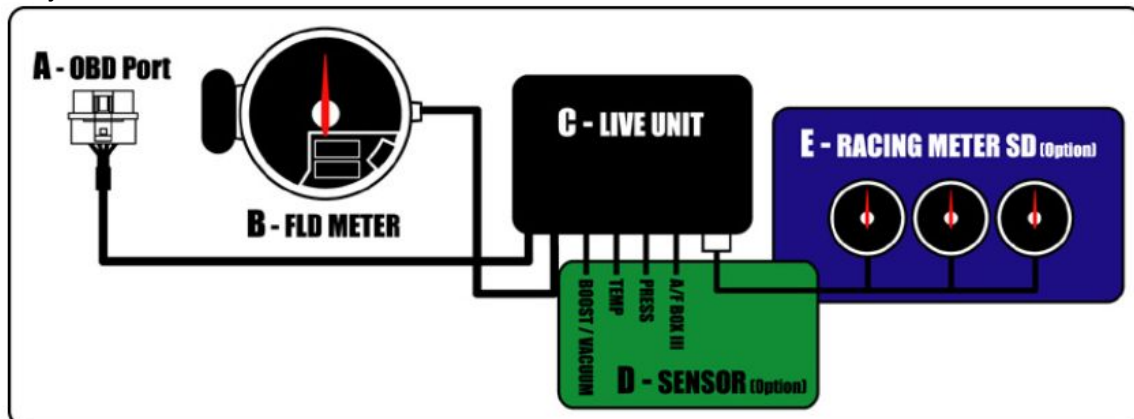
FLASH LED DRIVE

■ Characteristic

- Connect into OBD connector without making additional sensor, to view boost, Tacho, Speed and Throttle opening.
- Multiply information can be shown into one meter using by new design analog and digital meter.
- 「LED LOOP GRAPH」works LED and Needle together.
- New body size design of using $\phi 74$ with meter holder and function switch.
- With dedicated communication for hybrid, can displaying of vehicle batteries and motor, etc. (For HYBRID)
- Can be display by Yard and Pound or Meter with switching dimmer function. (wiring is needed)
- By using the optional sensor, boost, temp, press and A/F can be displayed.
- Live unit helps to expand of using SD meter (sold separately), without making additional sensor. (Boost, Temp and Tacho)



■ Schematic System



Product Name	Remarks	MSRP w/tax	MSRP	Code No.	JAN Code
FLD Meter BOOST (w/o Boost Sensor)		¥39,900	¥38,000	15200	4959094152002
FLD Meter BOOST (w/ Boost Sensor)		¥42,000	¥40,000	15201	4959094152019
FLD Meter TACHO		¥39,000	¥38,000	15202	4959094152026
FLD Meter TACHO For HYBRID		¥39,000	¥38,000	15203	4959094152033

Please see our website http://www.blitz.co.jp/new-product/fld_meter.pdf for more details.

Now On Sale!

<http://www.blitz.co.jp/>